

Televic TCS5500

Modular panels

Table of Contents

DELEGATE EQUIPMENT

DML5500 TGM406 V2	7
CML5500 TGM406 V2	9
DML5500 XLR V2	11
CML5500 XLR V2	13
DML5500 TGM406 A V2	15
CML5500 TGM406 A V2	17
DML5500 XLR A V2	19
CML5500 XLR A V2	21
LS5500 V2	23
LS5500 V2	25
VFP5500 V2	31
VTP5500 V2	33
VFB5500 V2	35
VTB5500 V2	37
V5P5500 V2	39
V3P5500 V2	41
V5B5500 V2	43
V3B5500 V2	45
DLCD V1	47
CMP V1	49

Delegate Equipment



DML5500 / TGM406

DELEGATE MICROPHONE UNIT

Art. 71.67.5096



Controls and Features

- Intended for flush mounting
- Microphone On/Off or request-to-speak button with corresponding LED indicators

Connectivity

- 10-pin shielded modular RJ48 jack

Accessories

- Microphone Connection Cable MCC with 2 shielded modular RJ plugs to connect to INT5500 Delegate Controller Interface

MCC5/1	1m	(71.67.5501)
MCC5/2	2m	(71.67.5502)
MCC5/3	3m	(71.67.5503)

Description

The DML5500 Delegate Microphone Panel is intended for flush mounting. It is equipped with a fixed gooseneck microphone TGM406.

The DML5500 allows participants in a meeting to speak or register a request to speak, and is equipped with a Microphone On/Off or request-to-speak button with corresponding LED indicators.

Custom built versions are available upon request.

Specifications

Technical Data	
Dimensions (mm)	50 (h) x 135 (w)
Cut-out (mm)	43 (h) x 120 (w) approx.
Lenght Microphone (mm)	+/- 385 (incl windshield)
Weight (g)	+/- 220
Colour	RAL7021 (Matt Black)
Front plate	Steel
Part Number	71.67.5096



Controls and Features

- Intended for flush mounting
- Microphone On/Off or request-to-speak button with corresponding LED indicators
- Priority (Reset) button

Connectivity

- 10-pin shielded modular RJ48 jack

Accessories

- Microphone Connection Cable MCC with 2 shielded modular RJ plugs to connect to INT5500 Delegate Controller Interface

MCC5/1	1m	(71.67.5501)
MCC5/2	2m	(71.67.5502)
MCC5/3	3m	(71.67.5503)

Description

The CML5500 Chairman Microphone Panel is intended for flush mounting. It is equipped with a fixed gooseneck microphone TGM406.

The CML5500 allows the chairman of a meeting to take control, and is equipped with a Microphone On/Off and a Priority (Reset) button. When pressed, this button temporarily switches off all active delegate units.

Custom built versions are available upon request.

Specifications

Technical Data	
Dimensions (mm)	50 (h) x 135 (w)
Cut-out (mm)	43 (h) x 120 (w) approx.
Lenght Microphone (mm)	+/- 385 (incl windshield)
Weight (g)	+/- 220
Colour	RAL7021 (Matt Black)
Front plate	Steel
Part Number	71.67.5097

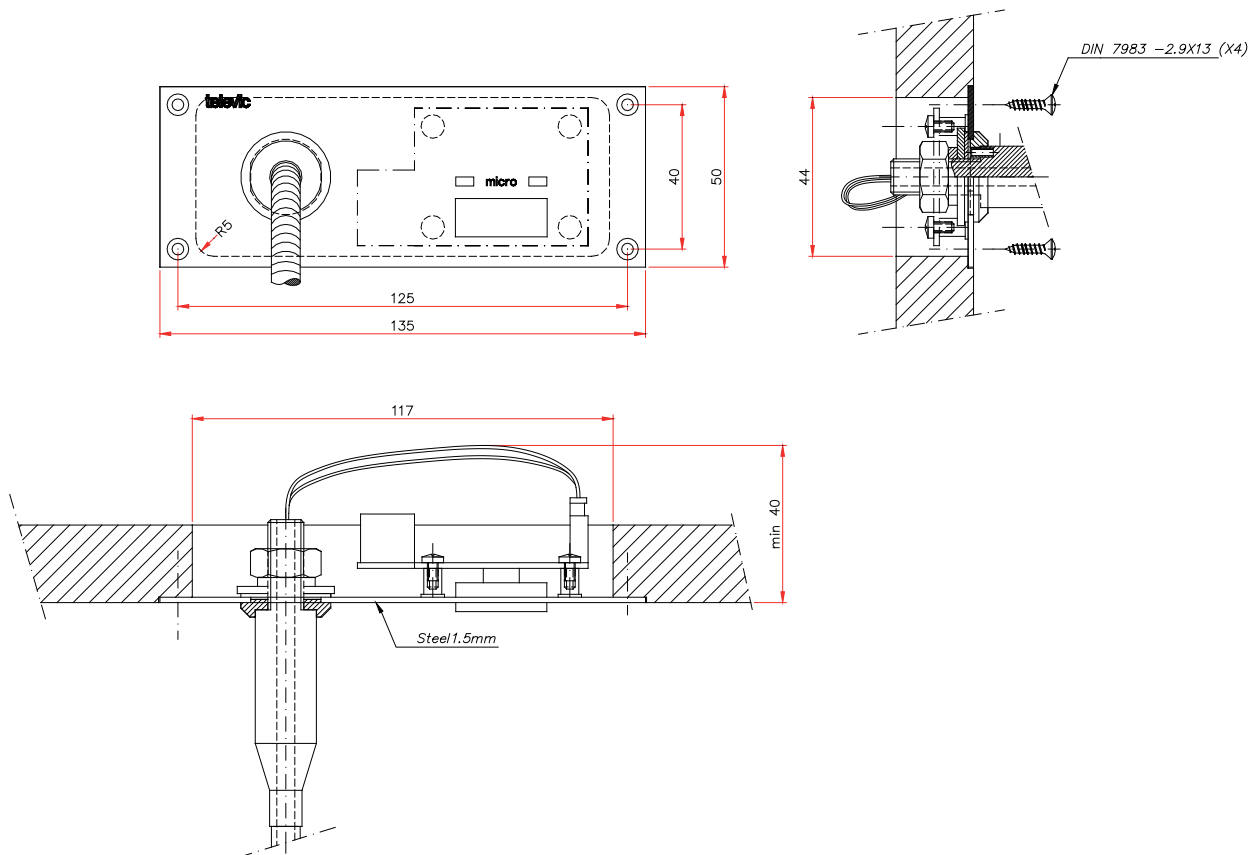
Dipswitch Settings

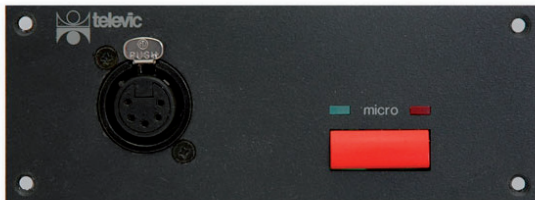
Gain			
Switch 1	Switch 2	Amplification	dBr
0	0	11 (+20.8 dB)	+8,6
0	1	4 (+12.2 dB)	0
1	0	4 (+12.2 dB)	0
1	1	2.8 (+9 dB)	-3,2

High Pass Filter		
Switch 3	Switch 4	Frequency
0	0	328 Hz
0	1	148 Hz
1	0	226 Hz
1	1	55 Hz

Standard setting	
Switch 1	1 (on)
Switch 2	0 (off)
Switch 3	1 (on)
Switch 4	0 (off)

Dimensions





Controls and Features

- Intended for flush mounting
- Microphone On/Off or request-to-speak button with corresponding LED indicators

Connectivity

- 10-pin shielded modular RJ48 jack
- 5-pin XLR connector for TGM404 gooseneck microphone

Accessories

- Microphone Connection Cable MCC with 2 shielded modular RJ plugs to connect to INT5500 Delegate Controller Interface

Description

The DML5500/XLR Delegate Microphone Panel is intended for flush mounting. It is equipped with a 5 pin locking XLR connector, to receive a removable gooseneck microphone TGM404 (included).

The DML5500/XLR allows participants in a meeting to speak or register a request to speak, and is equipped with a Microphone On/Off or request-to-speak button with corresponding LED indicators.

Custom built versions are available upon request.

MCC5/1	1m	(71.67.5501)
MCC5/2	2m	(71.67.5502)
MCC5/3	3m	(71.67.5503)

Specifications

Technical Data	
Dimensions (mm)	50 (h) x 135 (w)
Cut-out (mm)	43 (h) x 120 (w) approx.
Lenght Microphone (mm)	+/- 400 (Plugged in and incl windshield)
Weight (g)	+/- 220
Colour	RAL7021 (Matt Black)
Front plate	Steel
Part Number	71.67.5088

Dipswitch Settings

Gain			
Switch 1	Switch 2	Amplification	dBr
0	0	11 (+20.8 dB)	+8,6
0	1	4 (+12.2 dB)	0
1	0	4 (+12.2 dB)	0
1	1	2.8 (+9 dB)	-3,2

Standard setting	
Switch 1	1 (on)
Switch 2	0 (off)
Switch 3	1 (on)
Switch 4	0 (off)

High Pass Filter		
Switch 3	Switch 4	Frequency
0	0	328 Hz
0	1	148 Hz
1	0	226 Hz
1	1	55 Hz



Description

The CML5500/XLR Delegate Microphone Panel is intended for flush mounting. It is equipped with a 5 pin locking XLR connector, to receive a removable gooseneck microphone TGM404 (included).

The CML5500/XLR allows the chairman of a meeting to take control, and is equipped with a Microphone On/Off and a Priority (Reset) button. When pressed, this button temporarily switches off all active delegate units.

Custom built versions are available upon request.

Controls and Features

- Intended for flush mounting
- Microphone On/Off or request-to-speak button with corresponding LED indicators
- Priority (Reset) button

Connectivity

- 10-pin shielded modular RJ48 jack
- 5-pin XLR connector for TGM404 gooseneck microphone

Accessories

- Microphone Connection Cable MCC with 2 shielded modular RJ plugs to connect to INT5500 Delegate Controller Interface

MCC5/1	1m	(71.67.5501)
MCC5/2	2m	(71.67.5502)
MCC5/3	3m	(71.67.5503)

Specifications

Technical Data	
Dimensions (mm)	50 (h) x 135 (w)
Cut-out (mm)	43 (h) x 120 (w) approx.
Lenght Microphone (mm)	+/- 400 (Plugged in and incl windshield)
Weight (g)	+/- 220
Colour	RAL7021 (Matt Black)
Front plate	Steel
Part Number	71.67.5089

Dipswitch Settings

Gain			
Switch 1	Switch 2	Amplification	dBr
0	0	11 (+20.8 dB)	+8,6
0	1	4 (+12.2 dB)	0
1	0	4 (+12.2 dB)	0
1	1	2.8 (+9 dB)	-3,2

Standard setting	
Switch 1	1 (on)
Switch 2	0 (off)
Switch 3	1 (on)
Switch 4	0 (off)

High Pass Filter		
Switch 3	Switch 4	Frequency
0	0	328 Hz
0	1	148 Hz
1	0	226 Hz
1	1	55 Hz

DML5500 / TGM406 / A

DELEGATE MICROPHONE PANEL WITH GSM IMMUNITY

Art. 71.67.5590



Controls and Features

- Intended for flush mounting
- Microphone On/Off or request-to-speak button with corresponding LED indicators

Connectivity

- 10-pin shielded modular RJ48 jack

Accessories

- Microphone Connection Cable MCC with 2 shielded modular RJ plugs to connect to INT5500 Delegate Controller Interface

MCC5/1	1m	(71.67.5501)
MCC5/2	2m	(71.67.5502)
MCC5/3	3m	(71.67.5503)

Description

The DML5500/A Delegate Microphone Panel is intended for flush mounting. It is equipped with a fixed gooseneck microphone TGM406/A which is immune for GSM interference.

The DML5500/A allows participants in a meeting to speak or register a request to speak, and is equipped with a Microphone On/Off or request-to-speak button with corresponding LED indicators.

Custom built versions are available upon request.

Specifications

Technical Data	
Dimensions (mm)	50 (h) x 135 (w)
Cut-out (mm)	43 (h) x 120 (w) approx.
Length Microphone (mm)	+/- 385 (incl windshield)
Weight (g)	+/- 220
Colour	RAL7021 (Matt Black)
Front plate	Steel
Part Number	71.67.5590

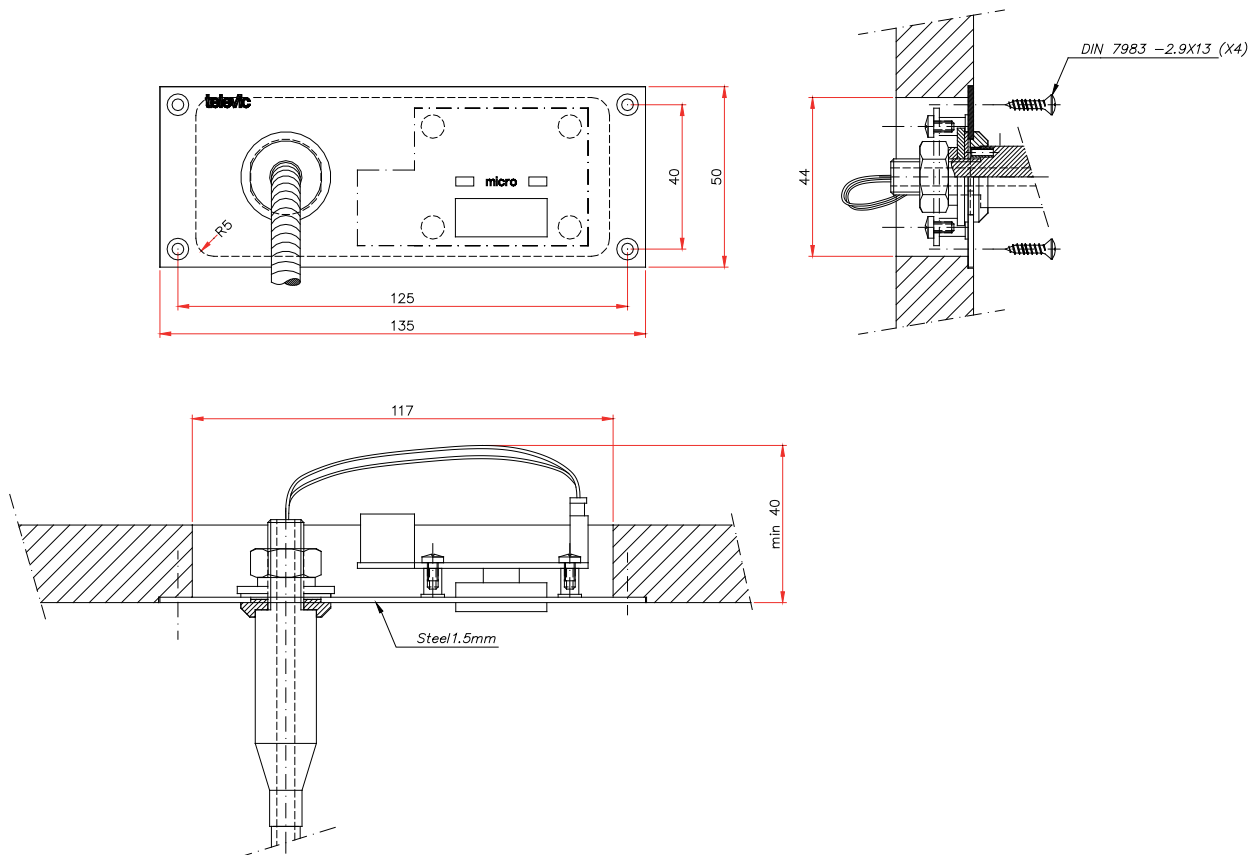
Dipswitch Settings

Gain			
Switch 1	Switch 2	Amplification	dBr
0	0	11 (+20.8 dB)	+8,6
0	1	4 (+12.2 dB)	0
1	0	4 (+12.2 dB)	0
1	1	2.8 (+9 dB)	-3,2

High Pass Filter		
Switch 3	Switch 4	Frequency
0	0	328 Hz
0	1	148 Hz
1	0	226 Hz
1	1	55 Hz

Standard setting	
Switch 1	1 (on)
Switch 2	0 (off)
Switch 3	1 (on)
Switch 4	0 (off)

Dimensions



CML5500 / TGM406 / A

CHAIRMAN MICROPHONE PANEL WITH GSM IMMUNITY

Art. 71.67.5591



Controls and Features

- Intended for flush mounting
- Microphone On/Off or request-to-speak button with corresponding LED indicators
- Priority (Reset) button

Connectivity

- 10-pin shielded modular RJ48 jack

Accessories

- Microphone Connection Cable MCC with 2 shielded modular RJ plugs to connect to INT5500 Delegate Controller Interface

MCC5/1	1m	(71.67.5501)
MCC5/2	2m	(71.67.5502)
MCC5/3	3m	(71.67.5503)

Description

The CML5500/A Chairman Microphone Panel is intended for flush mounting. It is equipped with a fixed gooseneck microphone TGM406/A which is immune for GSM interference.

The CML5500/A allows the chairman of a meeting to take control, and is equipped with a Microphone On/Off and a Priority (Reset) button. When pressed, this button temporarily switches off all active delegate units.

Custom built versions are available upon request.

Specifications

Technical Data	
Dimensions (mm)	50 (h) x 135 (w)
Cut-out (mm)	43 (h) x 120 (w) approx.
Lenght Microphone (mm)	+/- 385 (incl windshield)
Weight (g)	+/- 220
Colour	RAL7021 (Matt Black)
Front plate	Steel
Part Number	71.67.5097

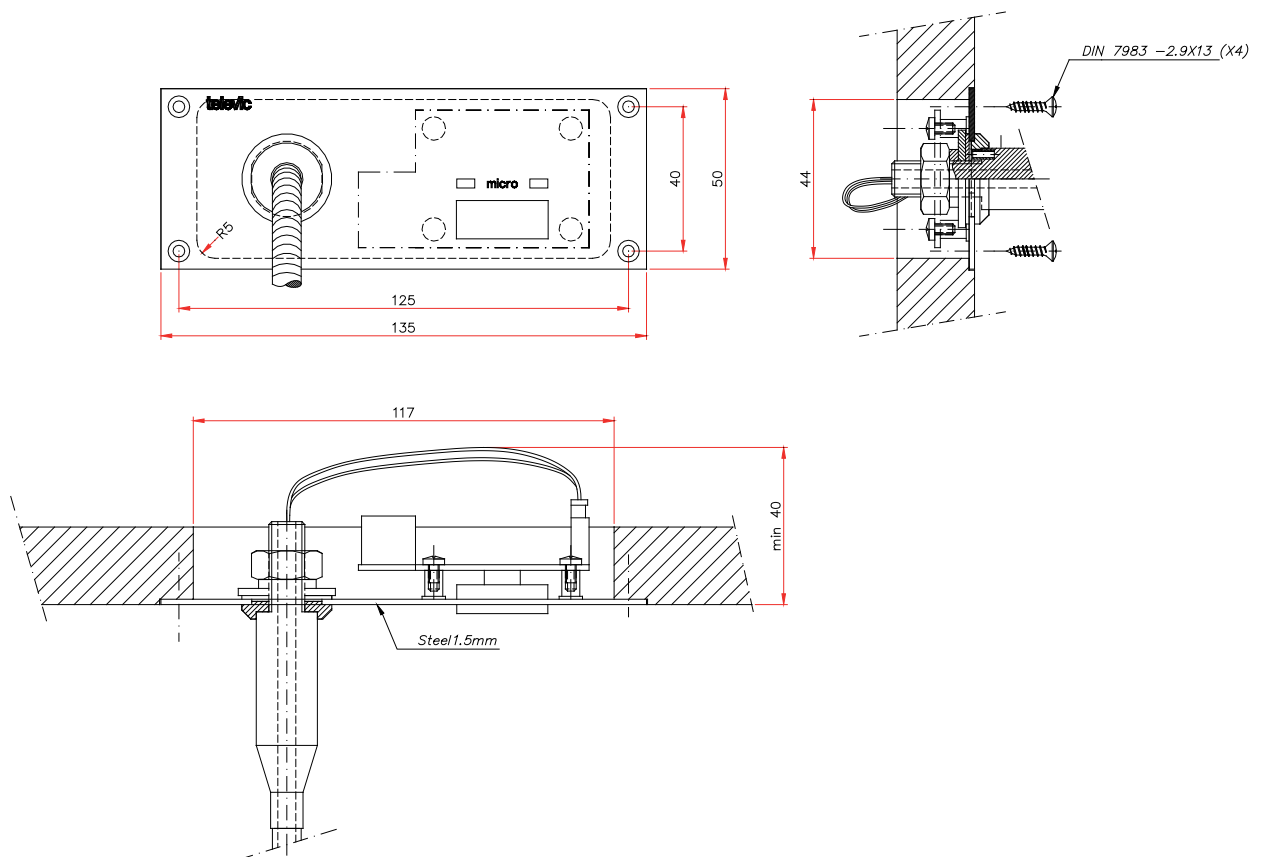
Dipswitch Settings

Gain			
Switch 1	Switch 2	Amplification	dBr
0	0	11 (+20.8 dB)	+8,6
0	1	4 (+12.2 dB)	0
1	0	4 (+12.2 dB)	0
1	1	2.8 (+9 dB)	-3,2

High Pass Filter		
Switch 3	Switch 4	Frequency
0	0	328 Hz
0	1	148 Hz
1	0	226 Hz
1	1	55 Hz

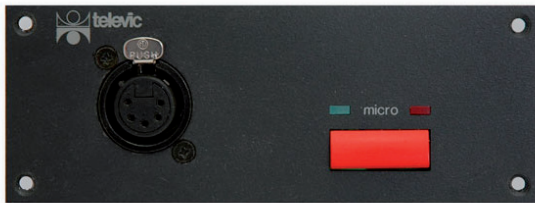
Standard setting	
Switch 1	1 (on)
Switch 2	0 (off)
Switch 3	1 (on)
Switch 4	0 (off)

Dimensions



DELEGATE MICROPHONE PANEL WITH XLR AND GSM IMMUNITY

Art. 71.67.5595



Controls and Features

- Intended for flush mounting
- Microphone On/Off or request-to-speak button with corresponding LED indicators

Connectivity

- 10-pin shielded modular RJ48 jack
- 5-pin XLR connector for TGM404 gooseneck microphone

Accessories

- Microphone Connection Cable MCC with 2 shielded modular RJ plugs to connect to INT5500 Delegate Controller Interface

Description

The DML5500/XLR/A Delegate Microphone Panel is intended for flush mounting. It is equipped with a 5 pin locking XLR connector, to receive a removable, GSM disturbance immune gooseneck microphone TGM404/A (included).

The DML5500/XLR/A allows participants in a meeting to speak or register a request to speak, and is equipped with a Microphone On/Off or request-to-speak button with corresponding LED indicators.

MCC5/1	1m	(71.67.5501)
MCC5/2	2m	(71.67.5502)
MCC5/3	3m	(71.67.5503)

Specifications

Technical Data	
Dimensions (mm)	50 (h) x 135 (w)
Cut-out (mm)	43 (h) x 120 (w) approx.
Lenght Microphone (mm)	+/- 400 (Plugged in and incl windshield)
Weight (g)	+/- 220
Colour	RAL7021 (Matt Black)
Front plate	Steel
Part Number	71.67.5595

Custom built versions are available upon request.

Dipswitch Settings

Gain			
Switch 1	Switch 2	Amplification	dBr
0	0	11 (+20.8 dB)	+8,6
0	1	4 (+12.2 dB)	0
1	0	4 (+12.2 dB)	0
1	1	2.8 (+9 dB)	-3,2

Standard setting	
Switch 1	1 (on)
Switch 2	0 (off)
Switch 3	1 (on)
Switch 4	0 (off)

High Pass Filter		
Switch 3	Switch 4	Frequency
0	0	328 Hz
0	1	148 Hz
1	0	226 Hz
1	1	55 Hz

CHAIRMAN MICROPHONE PANEL WITH XLR AND GSM IMMUNITY

Art. 71.67.5596



Description

The CML5500/XLR/A Delegate Microphone Panel is intended for flush mounting. It is equipped with a 5 pin locking XLR connector, to receive a removable, GSM disturbance immune gooseneck microphone TGM404/A (included).

The CML5500/XLR/A allows the chairman of a meeting to take control, and is equipped with a Microphone On/Off and a Priority (Reset) button. When pressed, this button temporarily switches off all active delegate units.

Custom built versions are available upon request.

Controls and Features

- Intended for flush mounting
- Microphone On/Off or request-to-speak button with corresponding LED indicators
- Priority (Reset) button

Connectivity

- 10-pin shielded modular RJ48 jack
- 5-pin XLR connector for TGM404 gooseneck microphone

Accessories

- Microphone Connection Cable MCC with 2 shielded modular RJ plugs to connect to INT5500 Delegate Controller Interface

MCC5/1	1m	(71.67.5501)
MCC5/2	2m	(71.67.5502)
MCC5/3	3m	(71.67.5503)

Specifications

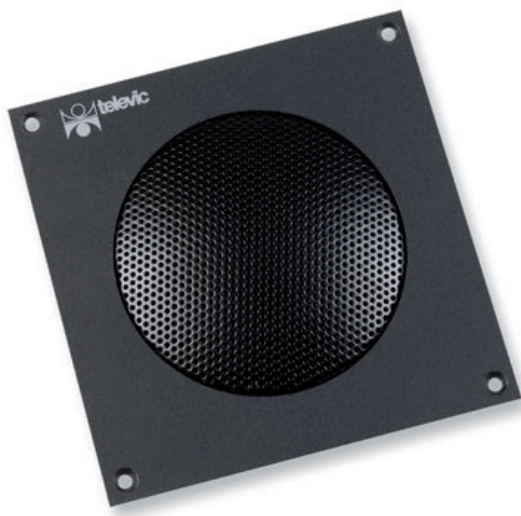
Technical Data	
Dimensions (mm)	50 (h) x 135 (w)
Cut-out (mm)	43 (h) x 120 (w) approx.
Lenght Microphone (mm)	+/- 400 (Plugged in and incl windshield)
Weight (g)	+/- 220
Colour	RAL7021 (Matt Black)
Front plate	Steel
Part Number	71.67.5596

Dipswitch Settings

Gain			
Switch 1	Switch 2	Amplification	dBr
0	0	11 (+20.8 dB)	+8,6
0	1	4 (+12.2 dB)	0
1	0	4 (+12.2 dB)	0
1	1	2.8 (+9 dB)	-3,2

Standard setting	
Switch 1	1 (on)
Switch 2	0 (off)
Switch 3	1 (on)
Switch 4	0 (off)

High Pass Filter		
Switch 3	Switch 4	Frequency
0	0	328 Hz
0	1	148 Hz
1	0	226 Hz
1	1	55 Hz



Controls and Features

- Intended for flush mounting
- High quality loudspeaker, automatically muted when the microphone is activated
- Built-in power amplifier, with internally adjustable level control

Connectivity

- 8-pin shielded modular RJ45 jack

Description

The LS5500 Delegate Loudspeaker Panel is intended for flush mounting and is used to equip each delegate station with its own speaker.

In combination with the wide frequency response, the speaker produces an even soundfield which highly increases intelligibility.

The high quality speaker is protected by a metal grid.

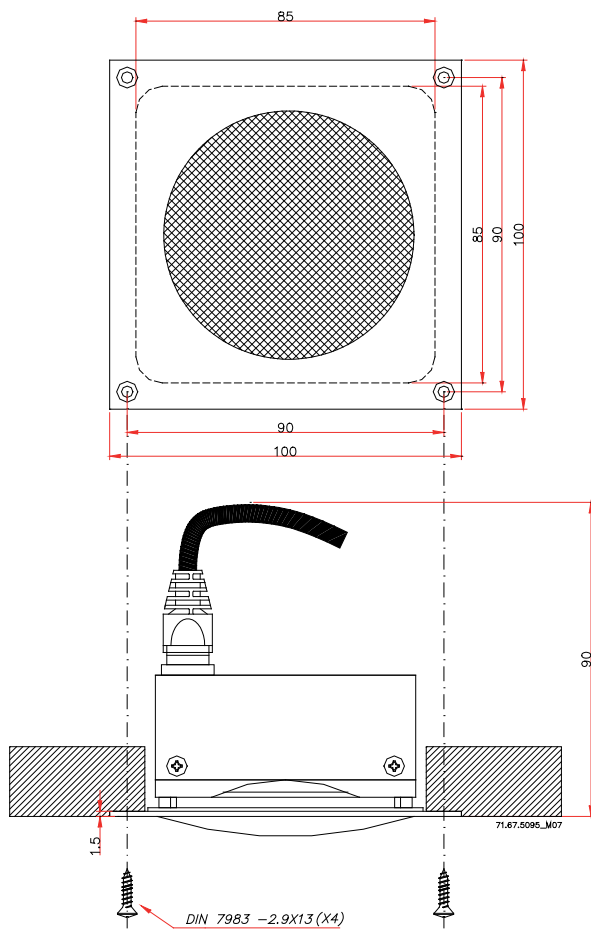
Custom built versions are available upon request.

Accessories

- Connection Cable CSC with shielded modular RJ plug to connect to INT5500 Delegate Controller Interface

CSC5/0.5	0.5m	(71.67.5105)
CSC5/1	1m	(71.67.5110)
CSC5/2	2m	(71.67.5120)
CSC5/3	3m	(71.67.5130)

Dimensions



Specifications

Technical Data	
Dimensions (mm)	100 (h) x 100 (w)
Cut-out (mm)	85 (h) x 85 (w) approx.
Weight (g)	+/- 410
Colour	RAL7021 (Matt Black)
Front plate	Steel
Rated speaker power	30 W
Amplifier power	1 W
Part Number	71.67.5095



Connectivity

- 8-pin shielded modular RJ45 jack

Accessories

- Connection Cable CSC with shielded modular RJ plug to connect to INT5500 Delegate Controller Interface

CSC5/0.5	0.5m	(71.67.5105)
CSC5/1	1m	(71.67.5110)
CSC5/2	2m	(71.67.5120)
CSC5/3	3m	(71.67.5130)

Description

The LS5500/S Delegate Loudspeaker Panel is intended for flush mounting and is used to equip each delegate station with its own speaker.

In combination with the wide frequency response, the speaker produces an even soundfield which highly increases intelligibility.

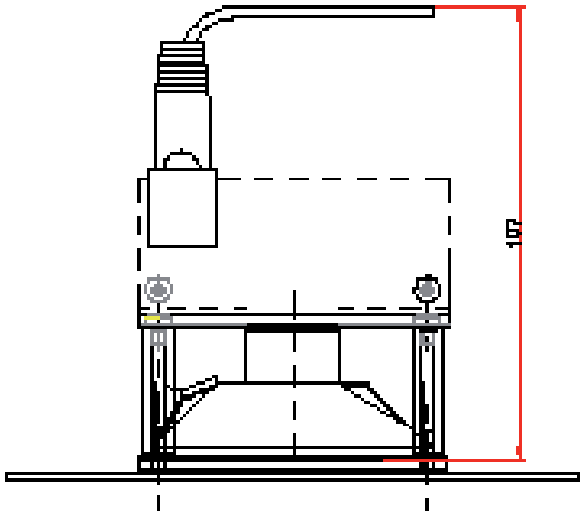
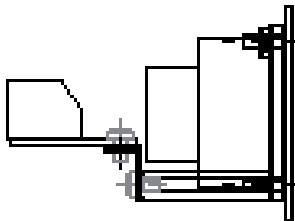
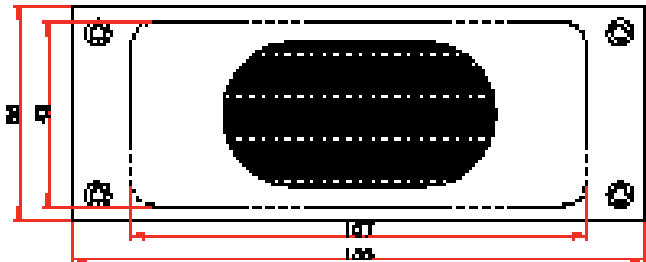
Controls and Features

- Intended for flush mounting
- High quality loudspeaker, automatically muted when the microphone is activated
- Built-in power amplifier, with internally adjustable level control

Specifications

Technical Data	
Dimensions (mm)	50 (h) x 135 (w) x 107 (d)
Cut-out (mm)	43 (h) x 107 (w)
Weight (g)	+/- 155
Colour	RAL7021 (Matt Black)
Front plate	Steel
Rated speaker power	2 W
Amplifier power	1 W
Part Number	71.67.5094

Dimensions





Description

The ODCSL5500 Delegate Channel Selector is part of the TCS 5500 Digital Conference System. It allows delegates to select the appropriate language channel for listening with the up and down controls. This selection is automatically limited to the number of available channels.

An easy-to-read OLED display indicates the selected channel number and the volume level when the volume controls are used. Using the PC software, names (i.e. ISO language codes) can be assigned to the different channels and displayed on the display.

The channel selector remains inactive until the volume or channel selection controls are first used. The language selector is by default set to the floor channel (or another predefined channel), and the volume is automatically set to a predefined level.

Connectivity

- 8-pin shielded modular RJ45 jack
- 3.5 mm jack connector for headphones

Custom built versions are available upon request.

Controls and Features

- Automatic activation upon first use with preset channel selection and volume level
- Easy to read OLED display shows the selected channel number, its corresponding name and a volume bar
- Easily readable even in a darkened conference room
- Up and down controls for channel selection and volume control

Accessories

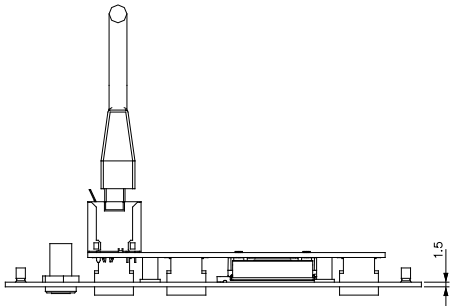
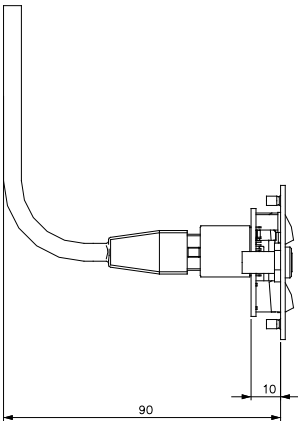
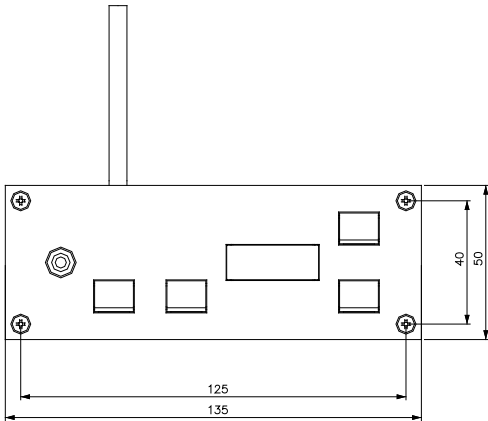
- TEL151 Delegate Headphones
- Connection Cable CSC with shielded modular RJ45 plug to connect to INT5500 Delegate Controller Interface

CSC5/0.5	0.5m	(71.67.5105)
CSC5/1	1m	(71.67.5110)
CSC5/2	2m	(71.67.5120)
CSC5/3	3m	(71.67.5130)

Specifications

Technical Data	
Dimensions (mm)	50 (h) x 135 (w)
Cut-out (mm)	43 (h) x 120 (w) approx.
Character height (mm)	8 mm
Weight (g)	+/- 120
Colour	RAL7021 (Matt Black)
Front plate	Steel
Part Number	71.68.5051

Dimensions





Description

The ODCSA5500 Delegate Channel Selector is a listening unit specifically designed for mounting in an armrest.

It allows delegates to select the appropriate language channel with the up and down controls. This selection is automatically limited to the number of available channels.

An easy-to-read OLED display indicates the selected channel number and the volume level when the volume controls are used. Using the PC software, names (i.e. ISO language codes) can be assigned to the different channels and displayed on the display.

The channel selector remains inactive until the volume or channel selection controls are used. The language selector is by default set to the floor channel (or another predefined channel), and the volume is automatically set to a predefined level.

Controls and Features

- Up to 60 audio channels supported
- Automatic wake-up upon first use or on request of central control with preset channel selection and volume level
- Easy to read OLED display shows the selected channel number, its corresponding name and a volume bar
- Up and down controls for channel selection and volume control
- Maximum number of channels programmable from central control
- Automatic channel rollover to channel zero when the maximum number of channels is reached
- Automatic entering of "sleep mode" on request of central control
- General device reset on request of central control

Connectivity

- Two 8-pin shielded modular RJ45 jacks for daisy-chain wiring
- 3.5 mm jack connector for headphones
- The ODCSA connects in daisy chain wiring to an SPL5525.

Custom built versions are available upon request.

Accessories

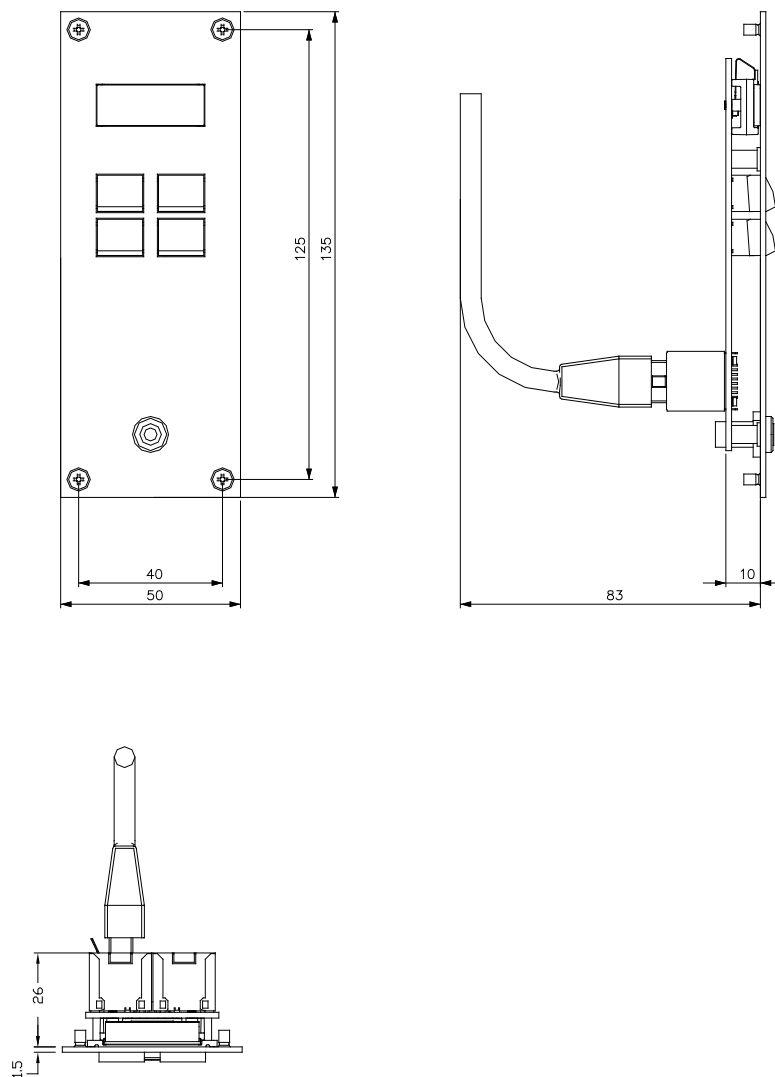
- TEL151 Delegate Headphones
- Digital bus cable YPC with shielded modular RJ plugs to interconnect DSCA's and/or connect to the SPL5525

YPC1	1m	(71.67.4001)
YPC2	2m	(71.67.4002)
YPC5	3m	(71.67.4005)
YPC10	10m	(71.67.4010)
YPC20	20m	(71.67.4020)

Specifications

Technical Data	
Dimensions (mm)	50 (h) x 135 (w)
Cut-out (mm)	45 (h) x 120 (w) approx.
Weight (g)	+/- 150
Colour	RAL7021 (Matt Black)
Front plate	Steel
Part Number	71.68.5151

Dimensions



Controls and Features

- Intended for flush mounting
- 5 voting buttons with LED indicators. Depending on the mode used these buttons provide different functions



Connectivity

- 14p micro match with flat cable to language selector DC SL5500

Description

The VFP5500 Delegate Voting Panel is intended for flush mounting.

The VFP5500 gives delegates of a conference access to voting and audience interaction facilities. It is equipped with 5 coloured voting buttons with LED indicators.

The VFP5500 is intended for connection to a language selector DC SL5500.

Specifications

Technical Data	
Dimensions (mm)	50 (h) x 135 (w)
Cut-out (mm)	45 (h) x 120 (w) approx.
Weight (g)	+/- 140
Colour	RAL7021 (Matt Black)
Front plate	Steel
Part Number	71.67.5060

Custom built versions are available upon request.

Controls and Features

- Intended for flush mounting
- 3 voting buttons with LED indicators. Depending on the mode used these buttons provide different functions



Connectivity

- 14p micro match with flat cable to language selector DC SL5500

Description

The VTP5500 Delegate Voting Panel is intended for flush mounting.

The VTP5500 gives delegates of a conference access to voting and audience interaction facilities. It is equipped with 3 coloured voting buttons with LED indicators.

The VTP5500 is intended for connection to a language selector DC SL5500.

Specifications

Technical Data	
Dimensions (mm)	50 (h) x 135 (w)
Cut-out (mm)	45 (h) x 120 (w) approx.
Weight (g)	+/- 140
Colour	RAL7021 (Matt Black)
Front plate	Steel
Part Number	71.67.5061

Custom built versions are available upon request.



Description

The VFB5500 Delegate Voting Panel is intended for flush mounting.

The VFB5500 gives delegates of a conference access to voting and audience interaction facilities. It is equipped with 5 voting buttons with LED indicators and a chip card reader.

The VFB5500 is intended for connection to a language selector DC SL5500.

Controls and Features

- Intended for flush mounting
- 5 voting buttons with LED indicators. Depending on the mode used these buttons provide different functions
- Identification and access control with integrated chip card reader

Custom built versions are available upon request.

Connectivity

- 6p and 14p micro match with flat cable to language selector DC SL5500

Accessories

- Blank Chip Card CC 5500 (71.43.2000)



Specifications

Technical Data	
Dimensions (mm)	50 (h) x 135 (w)
Cut-out (mm)	45 (h) x 120 (w) approx.
Weight (g)	+/- 160
Colour	RAL7021 (Matt Black)
Front plate	Steel
Part Number	71.67.5065

DELEGATE VOTING PANEL WITH CHIP CARD READER

Art. 71.67.5064



Description

The VTB5500 Delegate Voting Panel is intended for flush mounting.

The VTB5500 gives delegates of a conference access to voting facilities. It is equipped with 3 coloured voting buttons with LED indicators and a chip card reader.

The VTB5500 is intended for connection to a language selector DC SL5500.

Controls and Features

- Intended for flush mounting
- 3 voting buttons with LED indicators. Depending on the mode used these buttons provide different functions
- Identification and access control with integrated chip card reader

Custom built versions are available upon request.

Connectivity

- 6p and 14p micro match with flat cable to language selector DC SL5500

Accessories

- Blank Chip Card CC 5500 (71.43.2000)



Specifications

Technical Data	
Dimensions (mm)	50 (h) x 135 (w)
Cut-out (mm)	45 (h) x 120 (w) approx.
Weight (g)	+/- 160
Colour	RAL7021 (Matt Black)
Front plate	Steel
Part Number	71.67.5064

Controls and Features

- Intended for flush mounting
- 5 voting buttons with LED indicators. Depending on the mode used these buttons provide different functions



Connectivity

- Two 8-pin shielded modular RJ45 jacks for connection to the INT5500 and loop-through to a loudspeaker.

Accessories

- Connection Cable CSC with shielded modular RJ plug to connect to INT5500 Delegate Controller Interface

CSC5/0.5	0.5m	(71.67.5105)
CSC5/1	1m	(71.67.5110)
CSC5/2	2m	(71.67.5120)
CSC5/3	3m	(71.67.5130)

Description

The V5P5500 Delegate Voting Panel is intended for flush mounting.

The V5P5500 gives delegates of a conference access to voting and audience interaction facilities. It is equipped with 5 coloured voting buttons with LED indicators.

The V5P5500 is intended for direct connection to a INT5500 interface

Custom built versions are available upon request.

Specifications

Technical Data	
Dimensions (mm)	50 (h) x 135 (w)
Cut-out (mm)	45 (h) x 120 (w) approx.
Weight (g)	+/- 160
Colour	RAL7021 (Matt Black)
Front plate	Steel
Part Number	71.67.5068

Controls and Features

- Intended for flush mounting
- 3 voting buttons with LED indicators. Depending on the mode used these buttons provide different functions



Connectivity

- Two 8-pin shielded modular RJ45 jacks for connection to the INT5500 and loop-through to a loudspeaker.

Accessories

- Connection Cable CSC with shielded modular RJ plug to connect to INT5500 Delegate Controller Interface

CSC5/0.5	0.5m	(71.67.5105)
CSC5/1	1m	(71.67.5110)
CSC5/2	2m	(71.67.5120)
CSC5/3	3m	(71.67.5130)

Description

The V3P5500 Delegate Voting Panel is intended for flush mounting.

The V3P5500 gives delegates of a conference access to voting and audience interaction facilities. It is equipped with 3 coloured voting buttons with LED indicators.

The V3P5500 is intended for direct connection to an INT5500 interface.

Custom built versions are available upon request.

Specifications

Technical Data	
Dimensions (mm)	50 (h) x 135 (w)
Cut-out (mm)	45 (h) x 120 (w) approx.
Weight (g)	+/- 160
Colour	RAL7021 (Matt Black)
Front plate	Steel
Part Number	71.67.5069



Description

The V5B5500 Delegate Voting Panel is intended for flush mounting.

The V5B5500 gives delegates of a conference access to voting and audience interaction facilities. It is equipped with 5 voting buttons with LED indicators and a chip card reader.

The V5B5500 is intended for direct connection to an INT5500 interface.

Controls and Features

- Intended for flush mounting
- 5 voting buttons with LED indicators. Depending on the mode used these buttons provide different functions
- Identification and access control with integrated chip card reader

Custom built versions are available upon request.

Connectivity

- Two 8-pin shielded modular RJ jacks for connection to the INT5500 and loop-through to a loudspeaker.

Accessories

- Blank Chip Card CC 5500 (71.43.2000)
- Connection Cable CSC with shielded modular RJ plug to connect to INT5500 Delegate Controller Interface

CSC5/0.5	0.5m	(71.67.5105)
CSC5/1	1m	(71.67.5110)
CSC5/2	2m	(71.67.5120)
CSC5/3	3m	(71.67.5130)



Specifications

Technical Data	
Dimensions (mm)	50 (h) x 135 (w)
Cut-out (mm)	45 (h) x 120 (w) approx.
Weight (g)	+/- 140
Colour	RAL7021 (Matt Black)
Front plate	Steel
Part Number	71.67.5066



Description

The V3B5500 Delegate Voting Panel is intended for flush mounting.

The V3B5500 gives delegates of a conference access to voting and audience interaction facilities. It is equipped with 3 voting buttons with LED indicators and a chip card reader.

The V3B5500 is intended for direct connection to an INT5500 interface.

Connectivity

- Two 8-pin shielded modular RJ jacks for connection to the INT5500 and loop-through to a loudspeaker.

Accessories

- Blank Chip Card CC 5500 (71.43.2000)
- Connection Cable CSC with shielded modular RJ plug to connect to INT5500 Delegate Controller Interface

CSC5/0.5	0.5m	(71.67.5105)
CSC5/1	1m	(71.67.5110)
CSC5/2	2m	(71.67.5120)
CSC5/3	3m	(71.67.5130)



Controls and Features

- Intended for flush mounting
- 3 voting buttons with LED indicators. Depending on the mode used these buttons provide different functions
- Identification and access control with integrated chip card reader

Custom built versions are available upon request.

Specifications

Technical Data	
Dimensions (mm)	50 (h) x 135 (w)
Cut-out (mm)	45 (h) x 120 (w) approx.
Weight (g)	+/- 160
Colour	RAL7021 (Matt Black)
Front plate	Steel
Part Number	71.67.5067



Description

The DLCD5500 unit combines a 5 button voting panel equipped with chip card reader and a LCD display with 4 lines of 80 character.

The unit makes it possible to send messages to individual delegates or groups of delegates and share conference information like delegate name, request lists, speachtime and voting results among all delegate participants.

The DLCD is intended for direct connection to an INT5500 interface.

Features and Control

- 5 voting buttons with LED indicators.
- Identification and access control with integrated chip card reader
- 4 lines 80 character width LCD display

Connectivity

- two 8-pin shielded modular RJ jack

Accessories

- Blank Chip Card CC 5500 (71.43.2000)
- Digital bus cable, RJ45 24AWG:

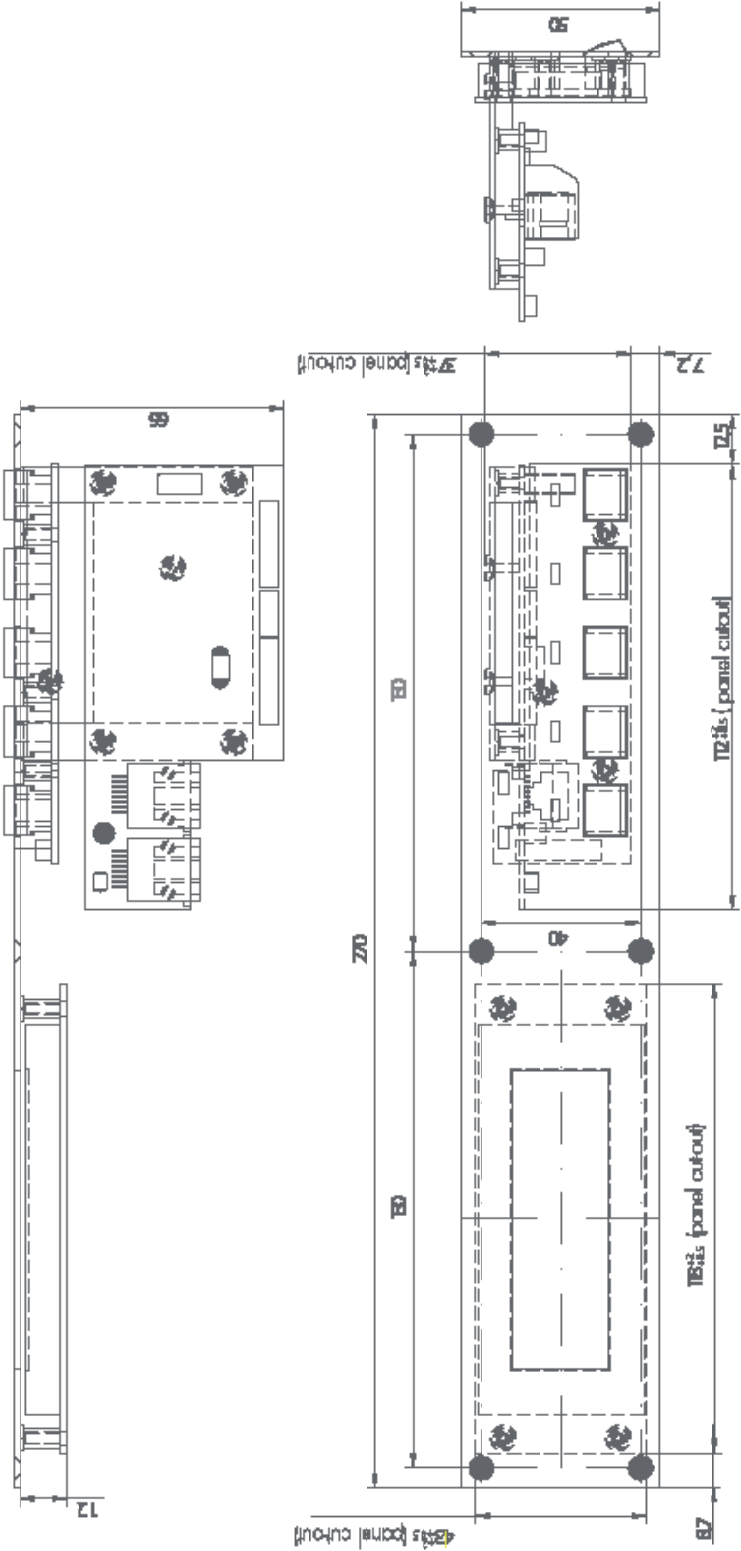
CSC5/0,5	0.5m	(71.67.5105)
CSC5/1	1m	(71.67.5110)
CSC5/2	2m	(71.60.5120)
CSC5/3	3m	(71.60.5130)

Standard Ethernet patch cable AWG26 cannot be used!

Specifications

Technical Data	
Dimensions (mm)	50 (h) x 270 (w) x 70 (d)
Cut-out (mm)	see drawing next page
Weight (g)	+/- 325
Colour	RAL 7021, Matt Black
Housing	Steel
Part Number	71.67.5062

Dimensions



Description

The Conference Management Panel CMP5500 offers the chairman the possibility to directly activate certain conference management functions via a single button. The unit has a total of 10 buttons.

By default these buttons provide the following functions:

- Start Voting
- Stop Voting
- Clear voting results
- Resume Voting
- Restart Voting
- Next voting item
- Vote timeout
- Vote mode
- Speech time
- Next

A limited number of other functions are available. Upon request these can be linked to any button via a configuration file.

Features and Control

- 10 control buttons

Connectivity

- 8-pin shielded modular RJ jack

Accessories

- Connection cable, RJ45 24AWG:

CSC5/0,5	0.5m	(71.67.5105)
CSC5/1	1m	(71.67.5110)
CSC5/2	2m	(71.60.5120)
CSC5/3	3m	(71.60.5130)

Standard Ethernet patch cable AWG26 cannot be used!

Specifications

Technical Data	
Dimensions (mm)	50 (h) x 135 (w) x 75 (d)
cut-out (mm)	35 (h) x 115 (w)
Weight (g)	+/- 300
Colour	RAL 7021, Matt Black
Housing	Steel
Part Number	71.67.5063

Dimensions

